

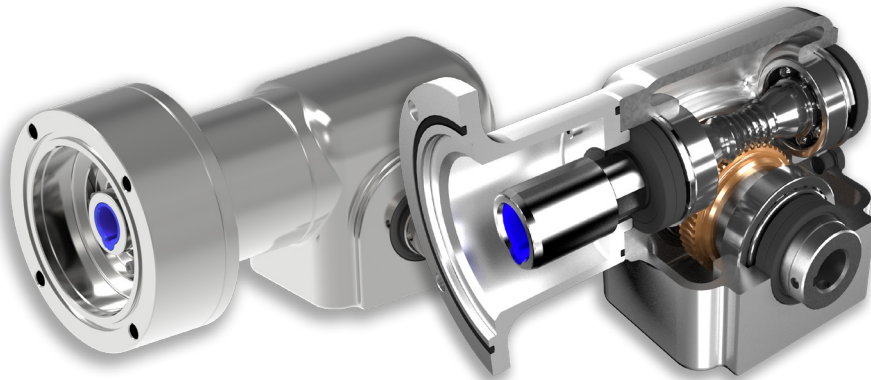


Powerful, clean solutions with a stainless reputation.

Industry-leading features and unparalleled support make Cone Drive's stainless reducer suitable for the most sterile manufacturing environments. Cone Drive Stainless Steel is equipped to withstand the most caustic washdown operations.

PACKAGING | FOOD & BEVERAGE | PHARMACEUTICAL | MEAT & DAIRY

MADE IN USA



NEMA Product Support:

- Industry-leading lead times
- Configuration & rating tools for 3D models and tested & verified ratings
- 5-year warranty
- Modifications & customizations
- Immediate engineering and sales support

NEMA Double Reduction

NEMA Single Reduction



CONFIGURE & DOWNLOAD YOUR MODEL AT [ConeTools.com](https://conetools.com)

S P E C I F I C A T I O N S

PRODUCT FEATURES

- Double reduction solutions now available for system design flexibility and thermal capacity superiority: high ratio and high efficiency options
- Reducer and custom options available with standard quill & non-fretting bushing
- Stainless Steel housing (316) and Stainless Steel (303) solid, hollow, or shrink disk output options in inch or metric
- Feet, flanges, or direct mounting for universal positioning
- Dual input bearing and true double enveloping gearing for superior rigidity and torque density
- Lifetime food-grade lubrication, suited for temperatures from -10° to 200°F (-23° to 93°C)
- Double input & output seals with material upgrades available, and o-ring equipped adaptation
- IP69K, A3 and NSF rated, tested, and approved hygienic design

PRODUCT SPECIFICATIONS

Sizes Available: 1.54, 1.75, 1.97, 2.38, 3.00 in (39, 44, 50, 60, 76 mm)

Ratios: 5:1 to 600:1, custom

Backlash Range: 4 to 24 arcmin (.07 to 0.40°)

Input Speed: <1750 RPM

Input Power: <14 HP (10 kW)

Output Torque: <6,200 in-lbs. (700 Nm)

Efficiency: <92%



Cone Drive Operations, Inc.
240 East 12th Street
Traverse City, MI 49684, USA



+1.888.994.2663



orders@conedrive.com



conedrive.com

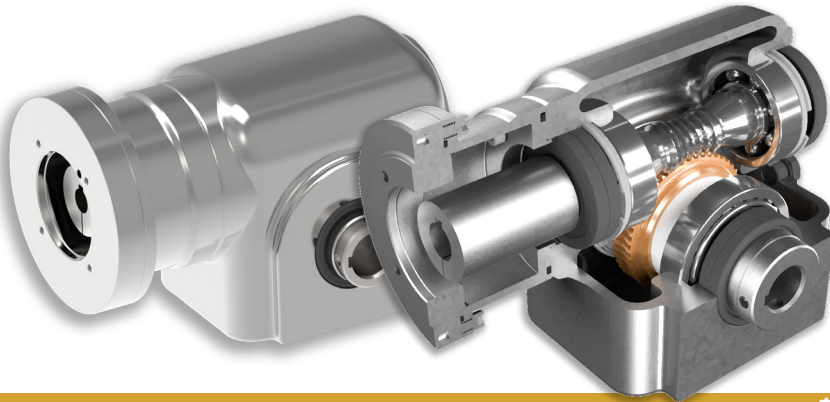


Powerful, clean solutions with a stainless reputation.

Industry-leading features and unparalleled support make Cone Drive's stainless reducer suitable for the most sterile manufacturing environments. Cone Drive Stainless Steel is equipped to withstand the most caustic washdown operations.

PACKAGING | FOOD & BEVERAGE | PHARMACEUTICAL | MEAT & DAIRY

MADE IN USA



Servo Single Reduction

⚙️ [CONFIGURE & DOWNLOAD YOUR MODEL AT ConeTools.com](#)

Servo Product Support:

- Industry-leading lead times
- Configuration & rating tools for 3D models and tested & verified ratings
- 5-year warranty
- Modifications & customizations
- Immediate engineering and sales support

S P E C I F I C A T I O N S

PRODUCT FEATURES

- Reducer and custom options available with zero-backlash coupling connections
- Stainless Steel housing (316) and Stainless Steel (303) solid, hollow, or shrink disk output options in inch or metric
- Feet, flanges, or direct mounting for universal positioning
- Dual input bearing and true double enveloping gearing for superior rigidity and torque density
- Lifetime food-grade lubrication, suited for temperatures from -10° to 200°F (-23° to 93°C)
- Double input & output seals with material upgrades available, and o-ring equipped adaptation
- IP69K, A3 and NSF rated, tested, and approved hygienic design

PRODUCT SPECIFICATIONS

Sizes Available: 1.54, 1.75, 1.97, 2.38, 3.00 in (39, 44, 50, 60, 76 mm)

Ratios: 5:1 to 60:1, custom

Backlash Range: 4 to 24 arcmin (.07 to 0.40°)

Input Speed: <3000 RPM

Efficiency: <92%

T_{accel-in} : <900 in-lbs. (100 Nm)

T_{accel-out} : <6400 in-lbs. (725 Nm)



📍 Cone Drive Operations, Inc.
240 East 12th Street
Traverse City, MI 49684, USA

☎️ +1.888.994.2663
✉️ orders@conedrive.com
🌐 conedrive.com