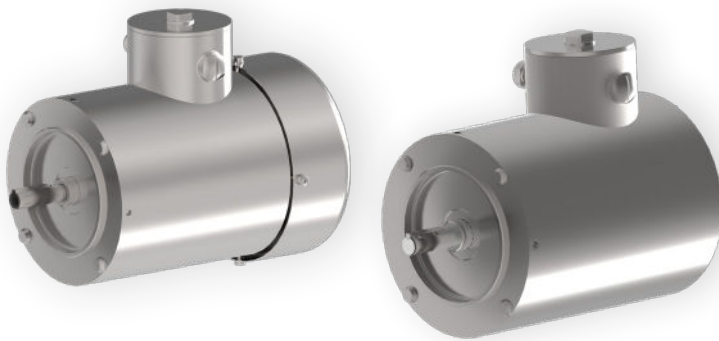


Stainless Steel Washdown Motors

Cone Drive now offers the option to bundle a NEMA stainless steel (304) washdown motor with your Series F gearbox. Adding a TECO-Westinghouse motor to your order provides an affordable and simple solution.

PACKAGING | FOOD & BEVERAGE | PHARMACEUTICAL | MEAT & DAIRY



Reliable and Trusted

TECO-Westinghouse motors are specifically designed for the rugged and demanding environments required for washdown applications.

Fan Cooled

Non Vented



CONFIGURE & DOWNLOAD YOUR MODEL AT [ConeTools.com](https://conetools.com)

S P E C I F I C A T I O N S

HP	Frame	Part Number	
		Fan Cooled	Non Vented
0.5	56C	WFPV0/54C	WFNV0/54C
0.75	56C	WFPV0/74C	WFNV0/74C
1	56C	WFPV0014C	WFNV0014C
1.5	56C	WFPV1/54C	WFNV1/54C
2	56C	WFPV0024C	WFNV0024C
3	182TC	WPV0034C	WNV0034C
5	184TC	WPV0054C	-

Frame Sizes: 56C, 182/184TC

Horsepower: 0.5 - 5.0 hp

Voltage: 230/460 V

Style: C-Face, Non-Footed


Ingress Protection: IP 66




Phase: 3 Phase



Delivery from stock



 Cone Drive Operations, Inc.
240 East 12th Street
Traverse City, MI 49684, USA

 +1.888.994.2663
 orders@conedrive.com
 conedrive.com